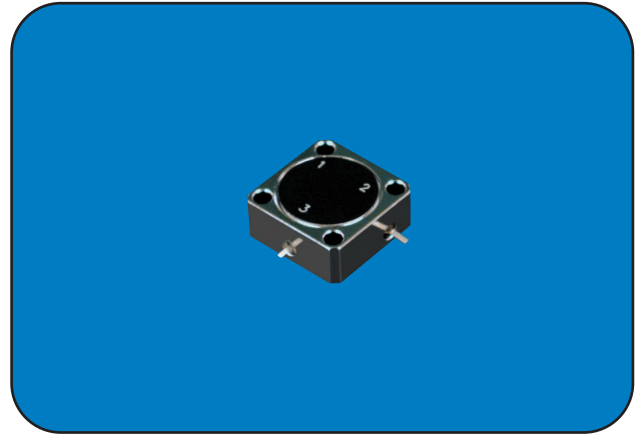


Drop-In Circulators



- Available in Frequencies from 450 MHz to 27 GHz
- Designed to Exceed Military and Space Environmental Requirements
- Compact, Rigged Construction, Excellent Magnetic Shielding
- Custom Engineered Solutions Available



Broadband Drop-In Circulator Capabilities

FREQUENCY (GHz)	MODEL NUMBER	ISOLATION (dB) MIN	INS LOSS (dB) MAX	VSWR MAX	OPERATING TEMP(°C)	PWR HANDLING PK/AVG (W)	PACKAGE CODE
0.960 - 1.215	C096012/DA	19	0.50	1.30:1	-25 to +85	1000 / 200	M1
2.000 - 4.000	C2040/DC	16	0.60	1.40:1	-10 to +70	100 / 100	C1
2.600 - 5.200	C2652/DC	15	0.60	1.50:1	-25 to +85	100 / 100	C1
3.000 - 6.000	C3060/DC	16	0.60	1.40:1	-25 to +85	100 / 75	C1
3.400 - 4.200	C3442/DE	18	0.60	1.30:1	-25 to +85	100 / 65	E1
4.000 - 8.000	C4080/DH	16	0.60	1.40:1	-25 to +85	100 / 75	D2
4.200 - 5.200	C4252/DA	18	0.50	1.30:1	-25 to +85	15 / 15	R3
4.700 - 10.000	C470100/DA	12	1.00	1.65:1	-25 to +85	100 / 75	D2
5.000 - 10.000	C500100/DC	15	0.60	1.45:1	-20 to +70	100 / 75	D2
6.000 - 18.000	C600180/DC	10	1.50	2.00:1	-25 to +85	100 / 65	E4
7.500 - 18.000	C750180/DC	12	1.00	1.65:1	-40 to +80	100 / 20	E3
8.000 - 12.000	C800120/DF	16	0.60	1.40:1	-25 to +85	100 / 75	E2
8.000 - 12.000	C800120/DG	16	0.70	1.45:1	-25 to +85	50 / 20	R1
8.000 - 16.000	C800160/DC	14	0.80	1.50:1	-25 to +85	100 / 65	E2
8.000 - 18.000	C800180/DC	13	1.20	1.60:1	-25 to +85	100 / 20	E3
12.000 - 18.000	C120180/DG	17	1.00	1.50:1	-25 to +85	50 / 20	R2
12.000 - 18.000	C120180/DH	15	0.70	1.50:1	-25 to +85	100 / 50	E3
17.500 - 21.500	C175215/DA	19	0.50	1.25:1	-25 to +85	50 / 20	R2
18.000 - 26.500	C180265/DC	14	1.00	1.50:1	-25 to +85	50 / 20	R4

Specifications subject to change without notice.

Drop-In Circulators



Narrowband Drop-In Circulator Capabilities

FREQUENCY (GHz)	MODEL NUMBER	ISOLATION (dB) MIN	INS LOSS (dB) MAX	VSWR MAX	OPERATING TEMP(°C)	PWR HANDLING PK/AVG (W)	PACKAGE CODE
0.420 - 0.450	C042045/DC	20	0.50	1.30:1	0 to +50	1000 / 300	M1
0.980 - 1.080	C098010/DA	21	0.50	1.20:1	-25 to +85	1000 / 300	F1
1.030 - 1.090	C1010/DB	20	0.50	1.25:1	-25 to +85	1000 / 100	D1
1.080 - 1.195	C1011/DB	20	0.50	1.25:1	-25 to +85	1000 / 300	F1
1.200 - 1.400	C1214/DC	17	0.60	1.35:1	-25 to +85	1000 / 300	F1
1.435 - 1.535	C1415/DC	18	0.50	1.20:1	-25 to +85	1000 / 100	D1
1.525 - 1.559	C1515/DA	21	0.30	1.20:1	-25 to +85	1000 / 300	F1
1.960 - 2.170	C1921/DA	17	0.60	1.35:1	-25 to +85	100 / 75	D1
2.100 - 2.300	C2123/DC	18	0.05	1.30:1	-25 to +85	100 / 75	D1
2.200 - 2.300	C2223/DC	20	0.50	1.25:1	-25 to +85	1000 / 100	D1
2.500 - 2.700	C2527/DC	18	0.50	1.30:1	-25 to +85	100 / 65	D1
2.700 - 2.900	C2729/DA	20	0.40	1.25:1	-25 to +85	100 / 75	D1
2.800 - 3.300	C2833/DA	15	0.75	1.40:1	-25 to +85	100 / 75	D1
2.900 - 3.100	C2931/DA	21	0.50	1.20:1	-25 to +85	100 / 75	D1
3.000 - 3.600	C3036/DA	18	0.60	1.30:1	-25 to +85	100 / 65	E1
3.400 - 3.700	C3437/DA	20	0.50	1.20:1	-25 to +85	50 / 20	R1
3.600 - 4.200	C3642/DA	19	0.50	1.25:1	-25 to +85	50 / 20	R1
3.700 - 4.200	C3742/DC	20	0.40	1.25:1	-25 to +85	200 / 75	D1
3.700 - 4.200	C3742/DD	18	0.60	1.30:1	-25 to +85	100 / 65	E2
4.200 - 4.400	C4244/DC	18	0.40	1.30:1	-25 to +85	200 / 65	E1
4.200 - 4.400	C4244/DD	20	0.50	1.25:1	-25 to +85	50 / 20	R1
4.400 - 5.000	C4450/DA	21	0.45	1.20:1	-25 to +85	100 / 65	E1
4.500 - 4.700	C4547/DA	19	0.50	1.25:1	-25 to +85	50 / 20	R1
5.150 - 5.650	C5156/DC	18	0.40	1.30:1	-25 to +85	100 / 65	E1
5.400 - 5.900	C5459/DC	18	0.50	1.30:1	-25 to +85	200 / 65	E1
5.400 - 5.900	C5459/DD	21	0.40	1.20:1	-25 to +85	50 / 20	R1
5.845 - 6.425	C5864/DA	21	0.50	1.20:1	-25 to +85	50 / 20	R1
5.900 - 6.400	C5964/DA	19	0.50	1.25:1	-25 to +85	200 / 65	E1
5.900 - 6.400	C5964/DB	21	0.40	1.20:1	-25 to +85	50 / 20	R1
6.600 - 7.300	C6673/DA	19	0.50	1.25:1	-25 to +85	50 / 20	R1
6.900 - 7.600	C6976/DA	18	0.60	1.30:1	-25 to +85	100 / 75	D1
7.000 - 7.500	C7075/DA	19	0.50	1.25:1	-25 to +85	100 / 65	E1
7.100 - 7.700	C7177/DA	20	0.50	1.25:1	-25 to +85	50 / 20	R1
7.125 - 7.875	C7178/DA	18	0.60	1.30:1	-25 to +85	100 / 65	E1
7.500 - 8.400	C7584/DA	17	0.60	1.35:1	-25 to +85	100 / 65	E1
7.800 - 8.600	C7886/DA	19	0.50	1.25:1	-25 to +85	50 / 20	R1
8.000 - 8.500	C8085/DA	16	0.60	1.40:1	-25 to +85	100 / 65	E1
8.000 - 8.500	C8085/DB	19	0.50	1.25:1	-25 to +85	50 / 20	R1
9.000 - 10.500	C900105/DE	19	0.50	1.25:1	-25 to +85	50 / 20	R2
9.500 - 10.500	C950105/DA	20	0.50	1.25:1	-25 to +85	50 / 20	R2
9.700 - 11.200	C970112/DA	19	0.50	1.25:1	-25 to +85	50 / 20	R2
10.400 - 11.300	C104113/DA	21	0.50	1.20:1	-25 to +85	50 / 20	R2

Specifications subject to change without notice.

smthS

TRAK Microwave Corporation
 E-Mail: sales@trak.com ■ www.trak.com
 Ph: 813-901-7200 ■ US Toll Free: 1-888-283-8444

4726 Eisenhower Boulevard ■ Tampa, Florida 33634-6391 USA

Drop-In Circulators



Narrowband Drop-In Circulator Capabilities

FREQUENCY (GHz)	MODEL NUMBER	ISOLATION (dB) MIN	INS LOSS (dB) MAX	VSWR MAX	OPERATING TEMP (°C)	PWR HANDLING PK/AVG (W)	PACKAGE CODE
10.700 - 11.950	C107119/DC	20	0.50	1.25:1	-25 to +85	50 / 20	R2
10.750 - 12.800	C107128/DD	20	0.50	1.25:1	-25 to +85	50 / 20	R2
12.100 - 12.800	C121128/DA	19	0.50	1.25:1	-25 to +85	100 / 65	E1
12.500 - 14.100	C125141/DA	20	0.50	1.25:1	-25 to +85	50 / 20	R2
12.700 - 13.500	C127135/DA	21	0.50	1.20:1	-25 to +85	50 / 20	R2
17.200 - 17.900	C172179/DC	19	0.50	1.25:1	-25 to +85	50 / 20	R2
17.300 - 18.100	C173181/DA	18	0.60	1.30:1	-25 to +85	50 / 20	R2
19.000 - 20.000	C190200/DA	19	0.50	1.25:1	-25 to +85	50 / 20	R2
19.375 - 19.875	C193198/DA	17	0.60	1.30:1	-25 to +85	50 / 20	R2
22.000 - 22.500	C220225/DA	17	0.60	1.30:1	-25 to +85	50 / 20	R2
22.550 - 24.050	C225240/DA	17	0.60	1.30:1	-25 to +85	50 / 20	R2
22.660 - 23.165	C226231/DA	17	0.60	1.30:1	-25 to +85	50 / 20	R2

Select-A-Frequency Drop-In Circulator Capabilities

Refer to page 50 for Select-A-Frequency Instructions.

CENTER FREQUENCY (GHz)	MODEL NUMBER	BANDWIDTH (%)	ISOLATION (dB) MIN	INS LOSS (dB) MAX	VSWR MAX	OPERATING TEMP (°C)	PWR HANDLING PK/AVG (W)	PACKAGE CODE
0.500 - 0.700	C050070/S*A	3%	20	0.70	1.25:1	-25 to +85	1000 / 300	F1
0.700 - 1.000	C070010/S*C	5%	20	0.60	1.25:1	-25 to +85	1000 / 300	F1
1.000 - 1.300	C1013/S*C	10%	20	0.50	1.25:1	-25 to +85	1000 / 300	F1
1.300 - 1.650	C1316/S*E	10%	20	0.50	1.25:1	-25 to +85	1000 / 300	F1
1.650 - 2.000	C1620/S*A	5%	20	0.50	1.25:1	-25 to +85	1000 / 100	D1
2.000 - 2.500	C2025/S*A	5%	20	0.50	1.25:1	-25 to +85	1000 / 100	D1
2.500 - 3.700	C2537/S*A	10%	20	0.60	1.25:1	-25 to +85	100 / 75	D1
3.700 - 4.600	C3746/S*A	5%	18	0.60	1.30:1	-25 to +85	100 / 65	E1
4.000 - 8.000	C4080/S*A	10%	20	0.60	1.25:1	-25 to +85	50 / 20	R1
4.600 - 6.200	C4662/S*A	5%	18	0.60	1.30:1	-25 to +85	200 / 65	E1
6.200 - 8.000	C6280/S*A	10%	18	0.60	1.30:1	-25 to +85	200 / 65	E1
8.000 - 10.000	C800100/S*A	10%	18	0.60	1.35:1	-25 to +85	100 / 65	E1
8.000 - 12.000	C800120/S*A	10%	20	0.60	1.25:1	-25 to +85	50 / 20	R2
10.000 - 12.000	C100120/S*A	10%	18	0.60	1.35:1	-25 to +85	100 / 65	E2
12.000 - 15.000	C120150/S*A	10%	18	0.60	1.35:1	-25 to +85	100 / 65	E2
12.000 - 18.000	C120180/S*A	10%	17	0.80	1.35:1	-25 to +85	50 / 20	R2
15.000 - 18.000	C150180/S*C	10%	17	0.60	1.40:1	-25 to +85	100 / 65	E3

Specifications subject to change without notice.

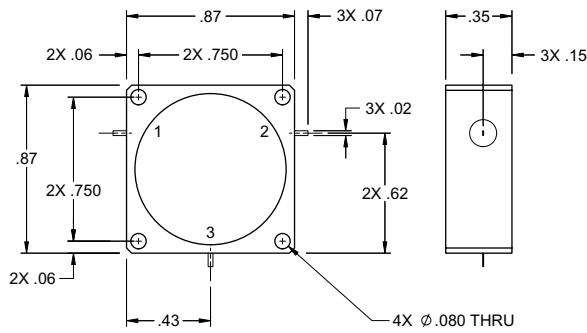


TRAK Microwave Corporation
 E-Mail: sales@trak.com ■ www.trak.com
 Ph: 813-901-7200 ■ US Toll Free: 1-888-283-8444

4726 Eisenhower Boulevard ■ Tampa, Florida 33634-6391 USA

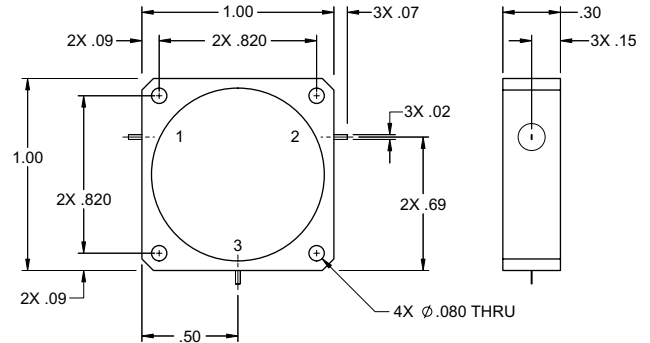
Drop-In Circulator Package Drawings

C1 - CIRCULATOR



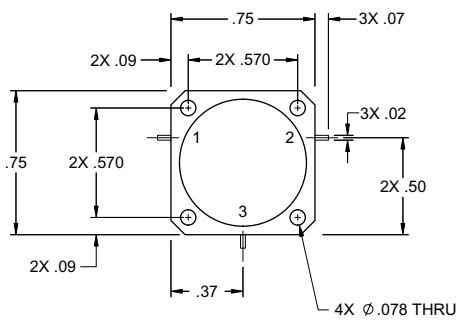
DIM = INCH MASS = .99 oz MAX

F1 - CIRCULATOR



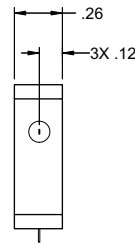
DIM = INCH MASS = 1.2 oz MAX

D - CIRCULATOR

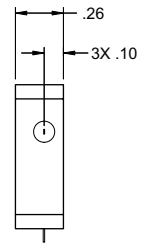


DIM = INCH MASS = .56 oz MAX

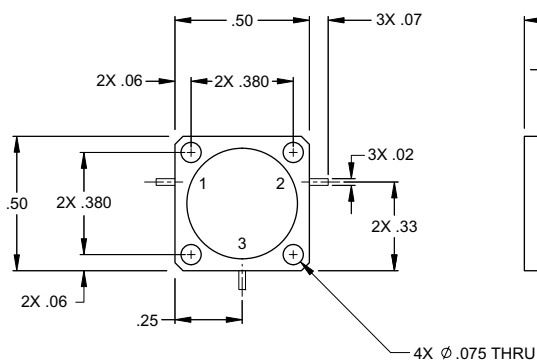
D1



D2

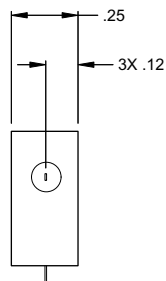


E - CIRCULATOR

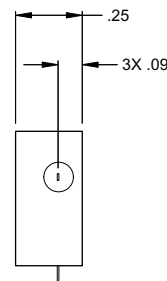


DIM = INCH MASS = .25 oz MAX

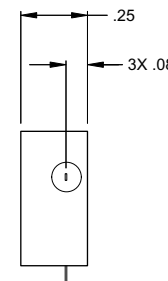
E1



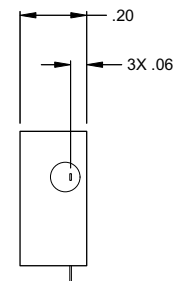
E2



E3



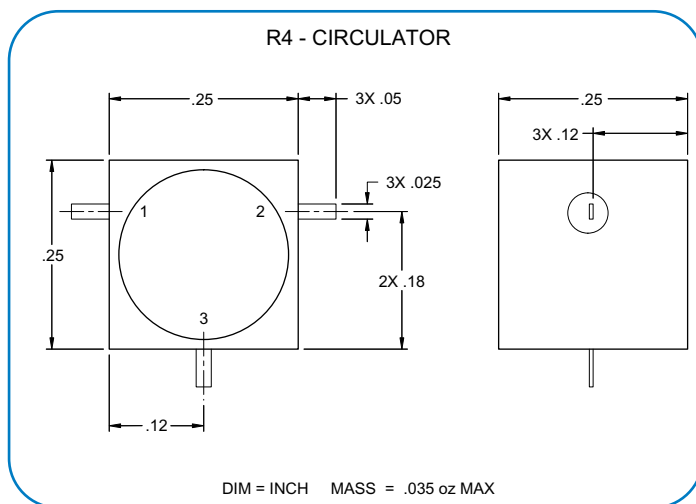
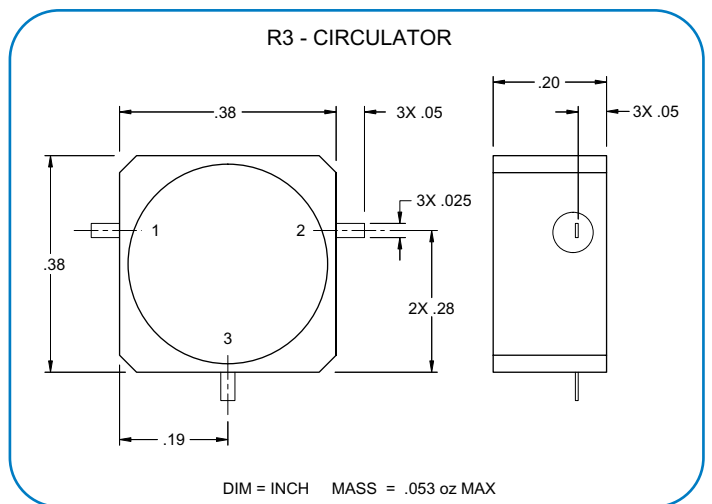
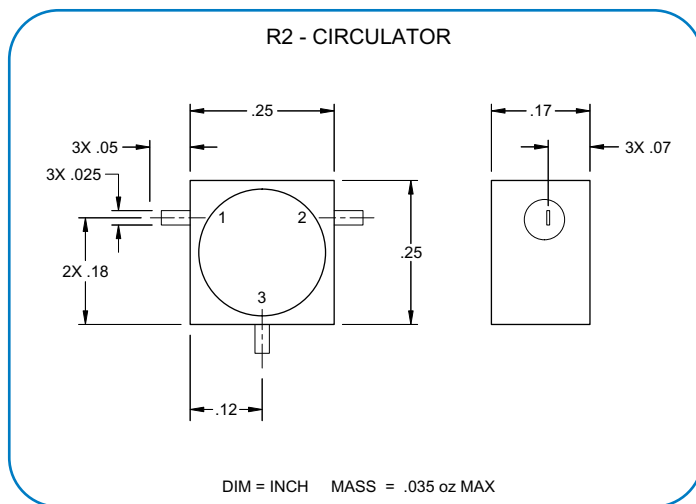
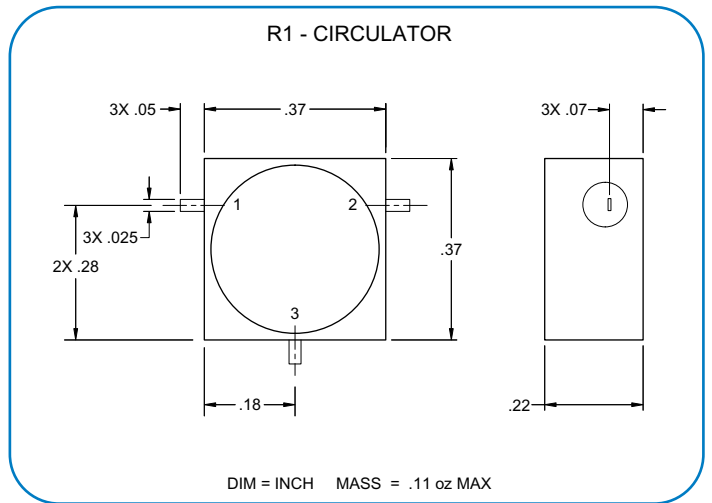
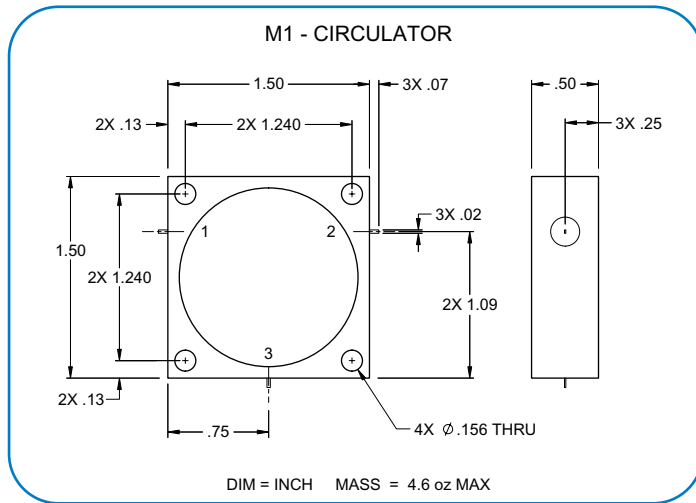
E4



Tab leads are .005" +/- .001 thick beryllium copper, silver plated or solder tinned (gold plating optional).

Specifications subject to change without notice.

Drop-In Circulator Package Drawings



Tab leads are .005" +/- .001 thick beryllium copper, silver plated or solder tinned (gold plating optional).

Specifications subject to change without notice.