

Oscillators

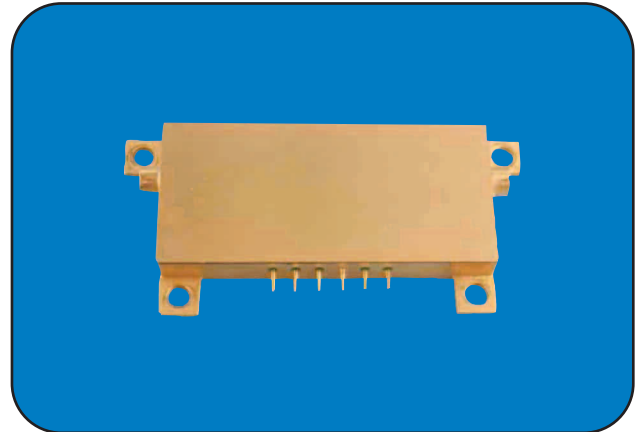
Miniature Oscillator, 1 GHz

Model: OSC045



Features:

- Very Small Package
- Switched Transmit Output
- Rugged Construction
- Dual RF Outputs



Electrical Specifications

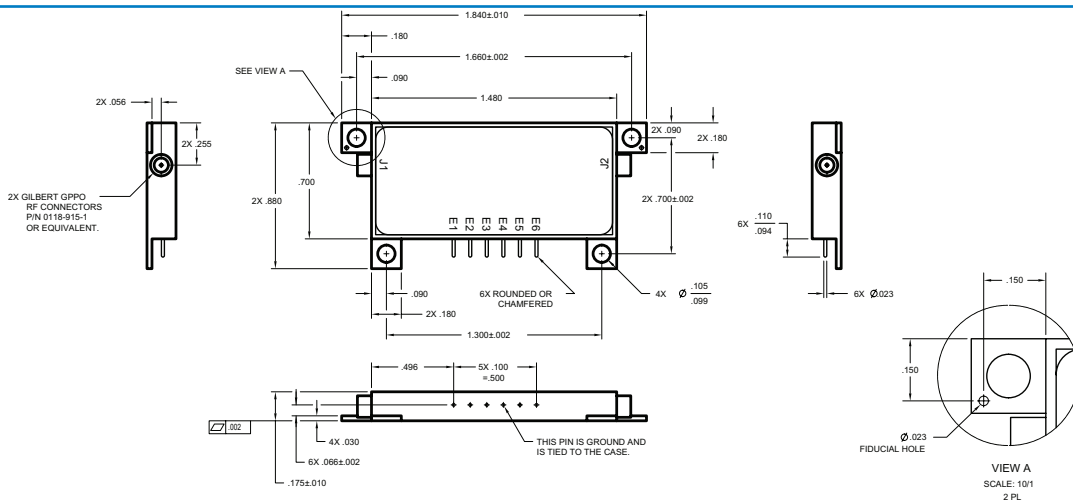
Operating Freq.:	≈ 1 GHz
Accuracy:	± 50 MHz
Rx Output Power:	0 dBm ± 2 dB
Tx Output Power:	+ 17 dBm ± 2.5 dB
VSWR (Tx & Rx):	1.5:1
Tx & Rx Phase Noise (dBc/Hz, typical):	
Offset	
50 kHz	- 77
100 kHz	- 86
500 kHz	- 107
25 MHz	- 135
Spurious:	≤ - 60 dBc
Harmonics:	- 10 dBc, max
Tx On/Off Isolation:	≥ - 25 dB
Tx Switch Rise/Fall Time:	≤ 10 nsec
DC Power:	+ 15 V @ 350 mA, max - 15 V @ 40 mA, max

Environmental Specifications

Operating Temperature: - 40 to + 85 °C, baseplate
Environment: Missile

Mechanical Specifications

Size: (excluding projections) 2.125 x 1.5 x 0.95 inches
54 x 38 x 24 mm
Connectors: RF Blindmate GPO® Series Pins (.03")
DC



Specifications subject to change without notice.



TRAK Microwave Corporation

E-Mail: sales@trak.com • www.trak.com

Ph: 813-901-7200 • US Toll Free: 1-888-283-8444

4726 Eisenhower Boulevard • Tampa, Florida 33634-6391 USA