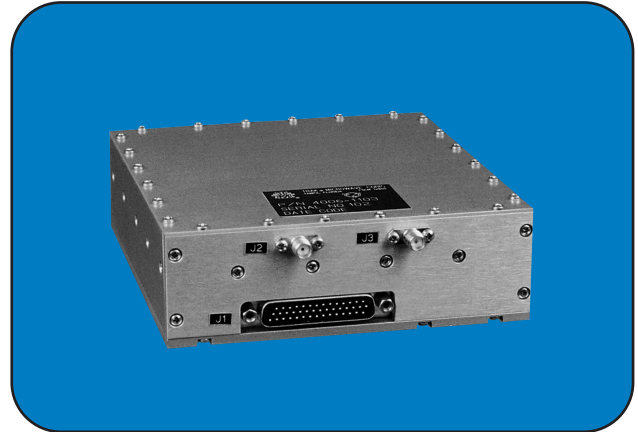


Synthesizers  
 Indirect Synthesizer, 1 - 2.5 GHz  
 Model: SYN089



**Features:**

- Wide Bandwidth
- Fast Switching: 175  $\mu$ s, typical
- Small, Modular Package
- Second Tray Option up to 18 GHz



**Electrical Specifications**

Frequency Range:	1 - 2.5 GHz
Step Size:	2 MHz, typical
Switching Speed:	175 $\mu$ s, typical
Output Power:	+ 10 dBm $\pm$ 2 dB
SSB Phase Noise (dBc/Hz, typical):	
<b>Offset</b>	
10 kHz	- 95
100 kHz	- 100
1 MHz	- 130
Reference Signal:	External @ 10 MHz
Stability:	Follows Input Reference
Spurious:	- 60 dBc, maximum
Harmonics:	- 15 dBc, maximum
Output VSWR:	2.0:1, typical
Tuning Control:	16 BIT, TTL, plus strobe
BITE Scheme:	Phase Lock & RF bits
DC Power:	$\pm$ 15 V, + 5 V (< 9 W)

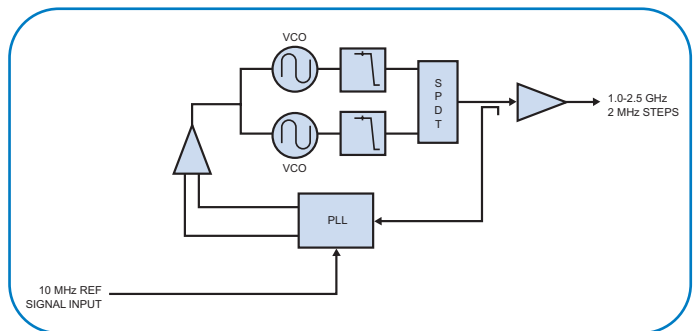
Note 1: Step sizes as low as 1 MHz are available.

**Environmental Specifications**

Operating Temperature: - 30 to + 70  $^{\circ}$ C  
 Environment: Ground

**Mechanical Specifications**

Size (excluding connectors): 5.4 x 5 x 1.6 inches  
 137 x 127 x 41 mm  
 Connectors: SMA



Specifications subject to change without notice.