

# Synthesizer

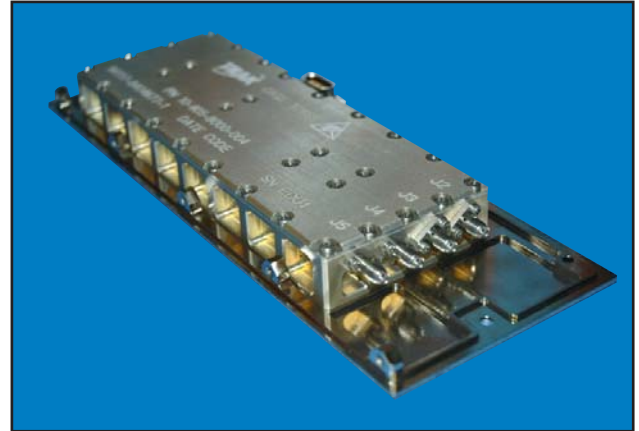
## C-Band S-Level Synthesizer, C-Band

### Model: SYN150



### Features:

- Redundant Architecture
- Internal Reference
- Surface Mount Construction
- S-Level Components
- 100 kRAD Si Total Dose Design
- High Rel Logic Implementation Using Triple Voter Logic
- CW Mode and Frequency Ramp Mode



### Electrical Specifications

Frequency Range:	C-Band
Step Size:	5 MHz Step
Power On:	3 msec Typical
Switching Speed:	10 $\mu$ sec Typical
Output Power:	0 $\pm$ 2dB 4 Outputs
SSB Phase Noise:	
<b>Offset</b>	
10 kHz	-88 dBc/Hz
100 kHz	-88 dBc/Hz
1 MHz	-109 dBc/Hz
Spurious:	<-60 dBc
Harmonics:	<-40 dBc
Tuning Control:	Parallel Tune Word
DC Power:	+9VDC @ <250mA

### Environmental Specifications

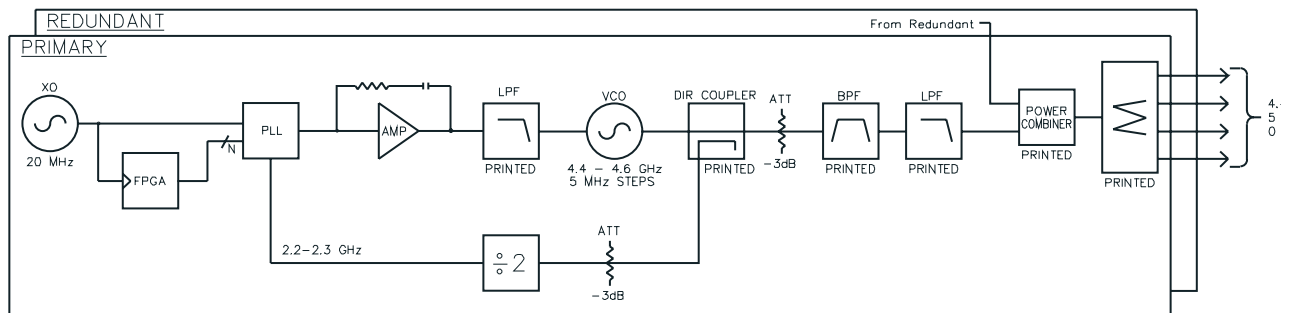
Environment:	Space
Survival Temperature:	-34°C to 120°C
Operating Temperature:	-10°C to 71°C
Radiation:	100 kRAD Si Total Dose

### Mechanical Specifications

Package:	T6061 Aluminum Nickel Plated Vented Housing
Size (nominal):	6" X 2.25" X 0.75"
Weight (nominal):	0.82 lbs

### Connectors

RF:	SSMA
Digital /DC:	15 Pin Sub D



Specifications subject to change without notice.